



ST. CHARLES COUNTY DEPARTMENT OF  
**Community Health  
& The Environment**  
636-949-1800

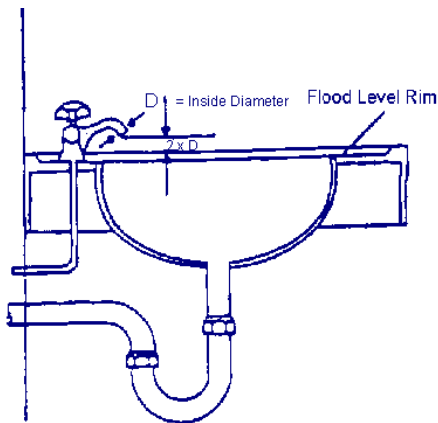
**PLUMBING AND CROSS CONNECTION CONTROL**

Plumbing shall be sized and installed according to applicable codes. There shall be no cross connections between the potable water supply and any nonpotable or questionable water supply. Where nonpotable water systems are permitted for purposes such as air conditioning and fire protection, the nonpotable water must not contact directly or indirectly: food, potable water or equipment that contacts food or utensils. The piping of any nonpotable water system shall be durably identified so that it is readily distinguishable from piping that carries potable water.

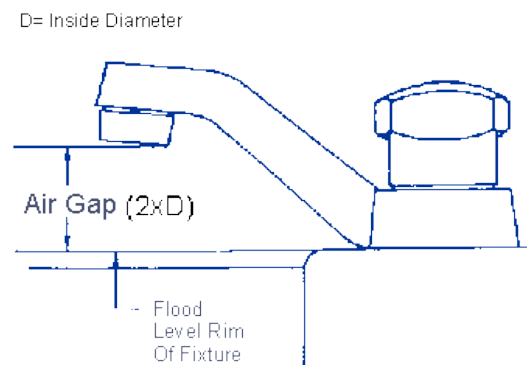
**SUBMERGED INLET PROTECTION**

A cross connection is defined as any connection or structural arrangement between a potable water system and a non-potable source, liquid or otherwise, through which backflow can occur.

Backflow is defined as the flow of water or other liquids, mixtures, or substances into a potable water system from any source, other than the intended source.



**Air Gap On Lavatory**



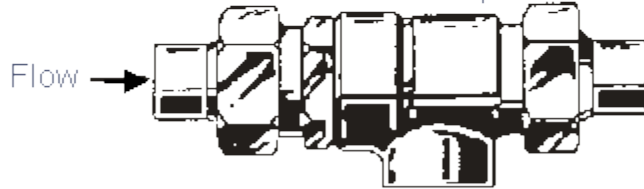
**Air Gap And Effective Opening**



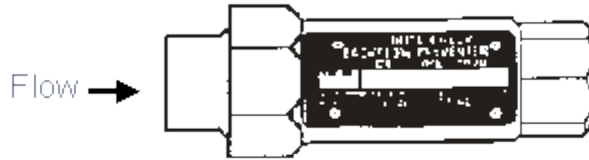
Hose Bibb Vacuum Breaker



Atmospheric Vacuum Breaker



Backflow Preventer with Intermediate Vent



Dual Check Backflow Preventer

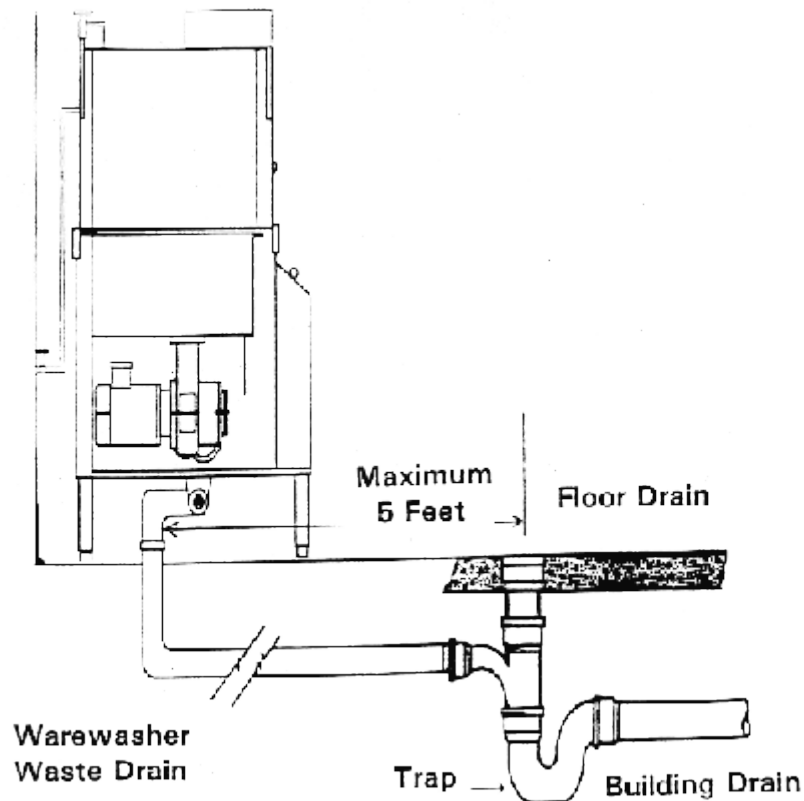


Carbonator Backflow Prevention Device

## Backflow Prevention Devices

## DRAINS

A direct connection may not exist between the sewerage system and any drains originating from equipment in which food, portable equipment, or utensils are placed, except if otherwise required by state plumbing codes. When a warewashing machine is located within 5 feet of a trapped floor drain, the dishwasher waste outlet may be connected directly on the inlet side of a properly vented floor drain trap.

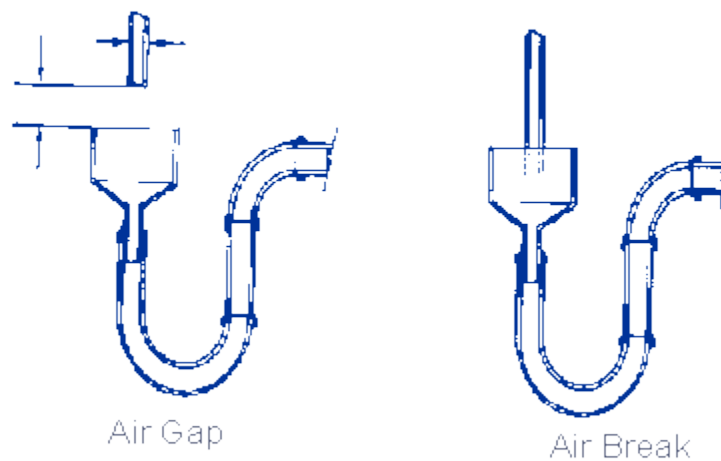


**Warewashing Machine With a Direct Waste Connection**

An indirect connection may be one of two types:

\* An air gap means the unobstructed vertical distance through the free atmosphere between the lowest opening from any pipe or outlet supplying fixture, or other device, and the flood level rim of the receptacle. The vertical physical separation shall be at least two times the inside diameter of the water inlet pipe above the flood rim level, but shall not be less than one inch.

\* An air break is a piping arrangement in which a drain from a fixture, appliance, or device discharges indirectly into another fixture, receptacle or interception at a point below the flood level rim. The connection does not provide an unobstructed vertical distance through the free atmosphere and is not solidly connected, but precludes the possibility of backflow to a potable water source into a sink or dishwasher/or fixture being drained.



## Indirect Waste